

DACIA
GOOD THINKING

NEW DACIA DUSTER



4th April 2023



DACIA

DUSTER

4x4

DUSTER



SIMPLY RUGGED

Nothing can stop it. Now, more than ever, New Dacia Duster is the archetypal SUV. Its iconic style, assertive design and new body-tone colours enhance its adventurous character.

Today, New Duster is available in the Extreme finish, which adds the exclusive Cedar Green colour to its palette for an even more off-road look. A real invitation to explore the pleasures of the great outdoors.

Non-binding photo.



EXTREME, A LOOK MORE DUSTER THAN EVER

New Dacia Duster Extreme is instantly recognisable thanks to the attention given to the finishes: Copper Brown details on the door mirrors, identity marking on the sides, modular roof bars and rear tailgate. It exudes a thirst for adventure with its glossy black alloy wheels decorated with Copper Brown centre caps, its wheel arch mouldings and its shark fin antenna.

Inside, screen-printed door sills and floor mats welcome you on board. As for the shimmer provided by the Copper Brown finishes, it embellishes the air vents and the base of the gear lever, the front door topstitching, the central armrest and the handbrake. Finally, the washable mixed MicroCloud plastic-coated fabric upholstery is designed to cope with any type of adventure.



COPPER BROWN DOOR MIRROR SHELLS



GLOSSY BLACK ALLOY WHEELS WITH COPPER BROWN CENTRE CAPS



COPPER BROWN DACIA LOGO ON THE TAILGATE

OVERCOME OBSTACLES

Feel free: New Dacia Duster takes you wherever you want to go with complete peace of mind. With its robust chassis, high ground clearance and off-road capabilities (in the 4-wheel drive version), it makes light work of rough terrain and uneven surfaces. Hill Start Assist allows you to tackle the steepest of slopes; adaptive Hill Descent Control* prevents skidding by controlling the speed of your SUV. The 4x4

Monitor feature with built-in compass and altimeter makes sure you always have the right information at the right time. Adjust the knob*, switch from traction to four-wheel drive and enjoy your adventure playground!

*On 4x4 versions.



COMPASS AND ALTIMETER



4X4 KNOB



Non-binding photos.

URBAN ADVENTURER

Because adventure begins at the corner of your street, New Dacia Duster is just as at home in the city. With its electrical power-assisted steering, blind spot warning and brand-new EDC automatic gearbox,⁽¹⁾ driving has never been so smooth. And on the engine front, New Duster offers a real choice: diesel, petrol or bi-fuel (petrol and LPG).

(1) Available with the TCe 150 engine in 2-wheel drive.

Non-binding photo.





DUSTER

P

WINE

A FULLY-EQUIPPED PASSENGER COMPARTMENT

Inside, comfort is also on the agenda with the sliding centre console offering additional storage space (almost 1.1 L). On the steering wheel, the backlit buttons are easier to identify. The dashboard accommodates a large 8-inch, semi-flush touch screen*, as well as two USB ports. Two multimedia systems are now available to meet all individual needs: Media Display and its intuitive, user-friendly interface feature an 8-inch screen, four speakers, Bluetooth® connectivity and smartphone replication with a USB cable compatible with Android Auto™ and Apple CarPlay™.

Media Nav, meanwhile, comes with MAP CARE on-board navigation (Western or Eastern Europe maps + 6 free updates for 3 years on-board) and two additional speakers. In the back, passengers have two USB* sockets for charging tablets and smartphones. Peace of mind on long journeys!

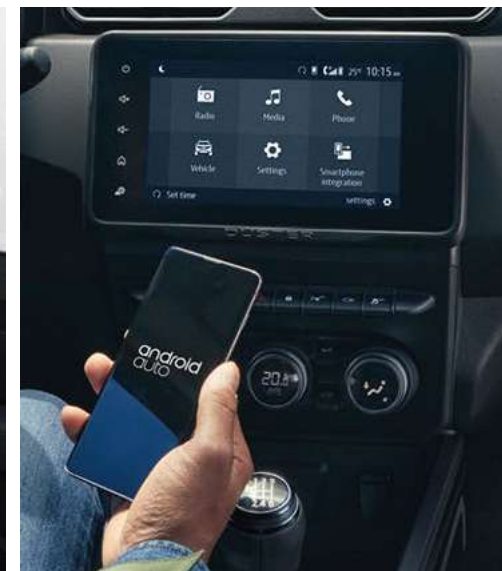
Android Auto™ is a trademark of Google Inc. Apple CarPlay™ is a trademark of Apple Inc.
* Depending on version.



HIGH CENTRAL CONSOLE WITH SLIDING ARMREST AND STORAGE



NEW UPHOLSTERY AND HEADREST



SMARTPHONE MIRRORING VIA USB CABLE



Non-binding photos.

BOOT SPACE AND FULL OF IDEAS

You won't believe what you can take with you in New Duster. So don't hold back! Luggage, parcels, furniture... your SUV is always ready. The extremely modular layout lets you adapt the passenger compartment to your needs or desires: the loading capacity of the boot, the flexibility in using the

interior space (60/40 split fold rear bench seat, but all of the seats can be folded down) maximise your carrying options. The many storage spaces in the doors and on the backs of the front seats invite you to empty your pockets and enjoy freedom while driving!



445 LITRES OF BOOT VOLUME



FOLDING REAR BENCH SEAT

DRIVE IN COMPLETE SAFETY

True adventurers prioritise safety. And New Duster is no exception to this rule, offering features that let you drive with complete peace of mind, wherever you choose to go. A reinforced body structure, front and side airbags and the Isofix child seat mounting system make sure that everyone is protected.



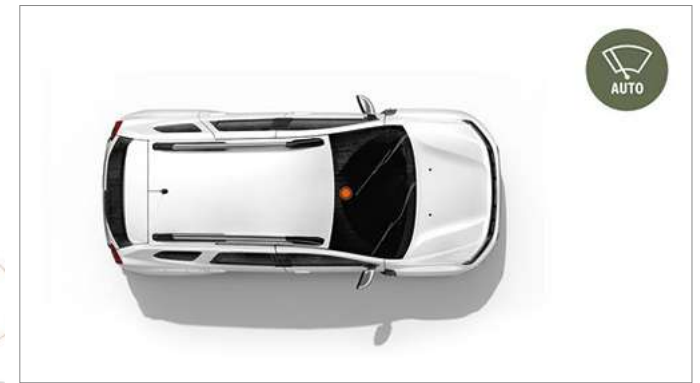
MULTIVIEW CAMERA

The MultiView Camera featured on Journey and Extreme versions gives you more eyes! It provides front, rear and side views, helping you detect holes, rocks or obstacles that are not always easy to see, and making driving easier for you.



HILL DESCENT CONTROL

Hill Descent Control maintains a slow and constant speed to prevent skidding in the 4x4 version.



AUTOMATIC WINDSCREEN WIPERS

The rain sensor at the top of the windscreen automatically activates the windscreen wipers (featured on Journey and Extreme versions).



Hill Start Assist



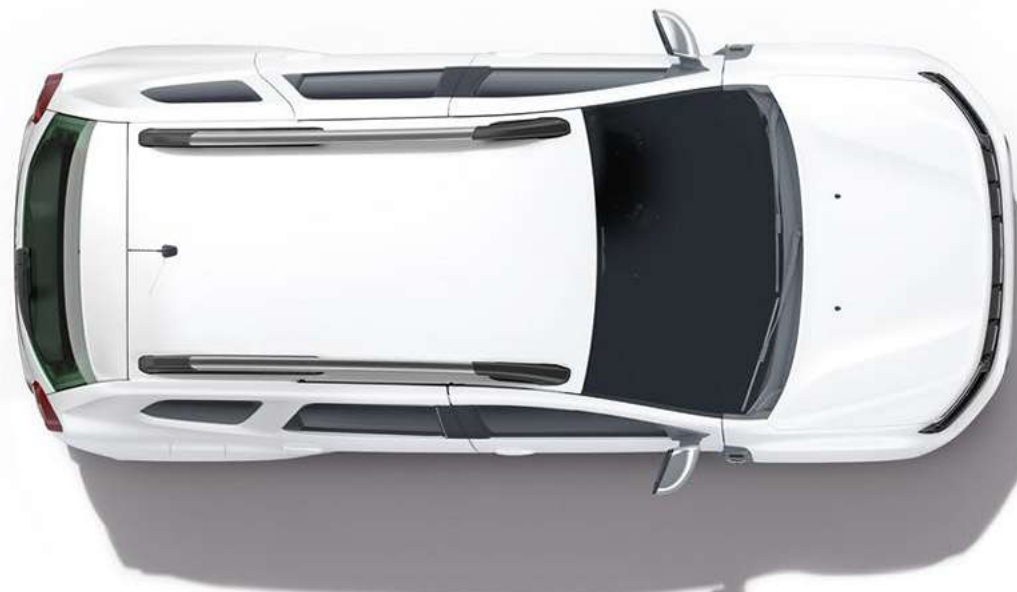
Blind spot warning



Automatic windscreen wipers



Rear parking sensors



ABS + Emergency brake assist



Rear view camera



Cruise control and speed limiter



Hill Descent Control



Multiview camera

DACIA DUSTER TRIMS

ESSENTIAL



MAIN EQUIPMENT

EXTERIOR APPEARANCE

- 16" Steel wheels
- New Brand Identity
- Black roof bars with "Duster" inscription
- Black door handles and mirrors
- 25% Tinted windows
- Body-coloured front and rear bumpers
- New grille with white inserts
- DACIA Y-shaped LED signature lights

INTERIOR APPEARANCE

- Essential upholstery
- Soft feel steering wheel
- Black door handles
- Steel grey console surround
- Backlighting steering wheel
- Steel grey air vent surrounds

DRIVING AND CONTROLS

- Electric power-assisted steering with variable assistance
- Cruise Control and Speed limiter
- Eco mode, Stop & Start and gear change indicator

VISIBILITY

- Manual adjustable door mirrors
- Eco-LED dipped beam headlights
- Automatic headlights with dusk sensor
- Front fog lights

COMFORT

- Manual air conditioning
- Electric front windows
- Manual rear windows
- Remote central locking
- Height & depth adjustable steering wheel
- 60/40 Split Folding rear seats
- 12V front socket

ACTIVE AND PASSIVE SAFETY

- ABS (anti-lock braking) and EBA (Emergency Brake Assist)
- ESC and Hill start assist
- Driver's front airbag/deactivate front side passenger airbag
- Chest side and head curtain airbags (front and rear)
- ASR (Traction control) with ESC (Electronic Stability Control)
- Child locks in rear doors
- Door open- visual and audible warning
- Isofix mounting system on rear outer seats
- Tyre inflation kit
- Tyre pressure monitor
- Rear parking sensors

AUDIO

- Dacia Plug & Radio (Radio MP3, USB, Bluetooth, steering wheel controls, DAB + 4 speakers)

OPTIONS

- Emergency spare wheel (not available on Tce 100 Bi-Fuel versions)
- Metallic paint

DACIA DUSTER TRIMS

EXPRESSION



MAIN EQUIPMENT EXPRESSION = ESSENTIAL+

EXTERIOR APPEARANCE

- 16" Alloy Wheels
- Body coloured door handles
- Silver door mirrors

INTERIOR APPEARANCE

- Expression upholstery
- Steel grey door handles
- Map pockets on front seatbacks

VISIBILITY

- Heated and electrically adjustable door mirrors

COMFORT

- One-touch driver side window
- Electric rear windows
- Central console with sliding armrest and storage (1.1L)
- Driver seat lumbar adjustment
- Drivers seat height adjustment
- Rear 12V socket

ACTIVE AND PASSIVE SAFETY

- Rear view camera

AUDIO

- 8" Media Display smartphone replication (2 USB Sockets, compatible with Apple CarPlay ^tm and Android Auto ^tm + 6 speakers)

OPTIONS

- Emergency spare wheel (not available on TCe100 Bi-fuel versions)
- Metallic paint

DACIA DUSTER TRIMS

JOURNEY



MAIN EQUIPMENT JOURNEY = EXPRESSION+

EXTERIOR APPEARANCE

- 17" Alloy wheels
- Megalith grey roof bars with "Duster" inscription
- Megalith grey door mirrors
- Dark glass on lateral rear windows
- Front and rear skid plates
- Modular roof bars

INTERIOR APPEARANCE

- Journey upholstery
- Fog grey interior door handles
- Fog grey interior decorative parts including air conditioning system controls

VISIBILITY

- Automatic windscreen wipers

COMFORT

- Automatic air conditioning
- Heated seats
- Keyless entry
- Automatic electric folding mirrors with control panel on driver's door
- Acoustic windshield
- Glovebox light
- Central courtesy light for rear passengers

ACTIVE AND PASSIVE SAFETY

- Multiview camera
- Blindspot warning

AUDIO

- 8" Media Nav: navigation with Western Europe mapping and 3 yrs (6 updates) subscription included. 6 Speaker DAB radio, smartphone replication via USB cable, compatible with Apple CarPlay ^tm and Android Auto ^tm

OPTIONS

- Emergency spare wheel (not available on Tce100 Bi-fuel versions)
- Metallic paint

DACIA DUSTER TRIMS

EXTREME



MAIN EQUIPMENT EXTREME = JOURNEY +

EXTERIOR APPEARANCE

- 17" black alloy wheel rims with the Dacia Copper Brown emblem on the wheel centre caps
- Metallic black shark fin antenna
- Copper Brown door mirror shells, door stickers and side stickers with topographic patterns, Dacia logo on the tailgate
- Modular roof bar with copper Duster lettering

INTERIOR APPEARANCE

- Washable mixed MicroCloud plastic-coated upholstery with special silk-screen printing
- Front door inserts in washable MicroCloud plastic-coated fabric with Copper Brown topstitching
- Copper Brown details on air vents and gear lever base
- Copper Brown topstitching on gear lever (only on automatic gearbox), handbrake and central armrest
- Front and rear rubber floor mats with topographic pattern
- Door sill protection with topographic pattern

OPTIONS

- Spare wheel + jack (not available on TCe100 Bi-fuel versions) ⁽¹⁾
- Metallic Paint

(1) The "emergency spare wheel" option replaces the "tyre inflation kit".

DACIA DUSTER

COLOUR PALETTE



DUSTY KHAKI⁽¹⁾



ARIZONA ORANGE^{(2)*}



GLACIER WHITE⁽³⁾



SLATE GREY⁽²⁾



PEARL BLACK⁽²⁾



URBAN GREY⁽¹⁾



CEDAR GREEN^{(2)**}

(1) Opaque paint.

(2) Metallic paint.

(3) Solid paint.

* not available on Extreme.

** only available on Extreme.

Non-binding photos.

DACIA DUSTER ACCESSORIES

1. SIDESTEP

A must-have accessory to enhance the 4x4 style of the vehicle whilst providing easy access to any loads on your roof.

2. CUSTOMISATION STICKERS

Stand out from the crowd in your Duster with this set of customised stickers that adorn the boot lid, rear side sections and door mirror shells.

3. SHARK FIN ANTENNA

Opt for a shark fin aerial and stream line the look of your vehicle.

4. CHROME FRONT AND SIDE STYLE BARS

Enhance your look and turn heads where ever you go with our chrome styling bars.

5. VENT-MOUNTED INDUCTION SMARTPHONE CHARGER

Top up on the move. Wirelessly charge your smartphone in your vehicle. Perfect for when you are out and about.

6. ILLUMINATED DOOR SILLS AND PREMIUM MATS

Opt for top of the range textile mats, providing full protection for the floor of your vehicle as well as our illuminated door sills which light up to greet you every time the door is opened.





7.



8.



9.



10.



11.



12.

7. BOOT CONTAINER AND BOOT SILL
Add our made-to-measure boot liner, perfect for protecting your boot floor from dirt and debris. The stainless steel boot sill helps prevent damage to your boot ledge, whilst looking great too.

8. RUBBER FLOOR MATS
With raised edges and now including a 5th mat for the rear central section, our rubber mats provide waterproof protection for the interior.

9. PROTECTION FOR LOWER DOORS, FRONT AND REAR WING EXTENDERS (WITH FRONT SENSOR), DOOR EDGES AND DOOR MIRRORS
Accentuate your New Duster's rugged styling while protecting the bottoms of its doors and wheel arches. With the flexible protection for door edges and door mirrors, enjoy added protection from paintwork chips and small everyday dents.

10. ROOF BOX AND ROOF BARS
Explore our range of roof bars and roof boxes, providing practicality for all your adventures.

11. ARMREST AND CUP HOLDER ORGANISER
Improve your comfort while benefiting from extra storage space with this armrest attached to the driver's seat. Compatible with the half-height console. The cup holder organiser gives you maximum space for keys, coins, cans or bottles.

12. TOOL-FREE REMOVABLE TOWBAR BICYCLE RACK
Quickly, easily and safely take your bikes anywhere using the towbar that can be removed quickly and without tools.

DACIA DUSTER

ENGINES

	TCe 90	TCe 100 Bi-fuel	TCe 130	TCe 150 EDC
ENGINES				
Fuel	Petrol	Petrol + LPG	Petrol	Petrol
Fiscal rating (hp)	5		7	8
Max. power kW EEC (hp) at an engine speed of (rpm)	67 (90 hp) at 4,400-4,900	67/74 (90 hp/100 hp) at 4,400-4,900/4,600-5,000	96 (130 hp) at 4,500-6,000	110 (150 hp) at 5,250-6,000
Max torque Nm EEC (m.kg) at an engine speed of (rpm)	160 at 2,200-3,750	160/170 at 2,200-3,750/2,000-3,500	240 at 1,600/3,500	250 at 1,700-3,250
Type of Injection	Sequential multipoint	Sequential multipoint	Direct injection	Direct injection
Capacity (cc)	999	999	1,332	1,332
No. of cylinders/valves	3 cylinders/12 valves	3 cylinders/12 valves	4 cylinders/16 valves	4 cylinders/16 valves
Emission control standard	Euro 6	Euro 6	Euro 6	Euro 6
Particle filter ⁽¹⁾	Yes	Yes	Yes	Yes
Stop & Start ⁽²⁾	Yes	Yes	Yes	Yes

PERFORMANCE

Top speed (km/h)/0-100 km/h (s)	166/13.1	168/13.8	193/10.6	199/9.7
1,000 m from standing start (s)	35.4	36.2	31.6	31.4

GEARBOX AND TRANSMISSION

Transmission	4x2	4x2	4x2	4x2
Gearbox type / Number of gears	Manual/6	Manual/6	Manual/6	Automatic/6

STEERING

Steering	Electrical power-assisted steering			
Turning circle, kerb to kerb (m)	10.72	10.72	10.72	10.72

BRAKING

Front: ventilated disc (VD)/diameter (mm)	(VD)/280	(VD)/280	(VD)/280	(VD)/280
Rear: drum (D)/diameter (inches)	(D)/9	(D)/9	(D)/9	(D)/9

WHEELS AND TYRES

Reference tyre sizes	215/65 R16 & 215/60 R17			
----------------------	-------------------------	--	--	--

FUEL CONSUMPTION AND EMISSIONS⁽³⁾

	WLTP ⁽⁴⁾			
Approval protocol				
Eco mode	Yes	Yes	Yes	Yes
Fuel tank capacity (L)	50	Petrol: 50 - LPG(3): 48.8	50	50
AdBlue [®] tank capacity ⁽⁴⁾ (l)	-	-	-	-
CO ₂ emissions (g/km)	140	Petrol: 145 / LPG: 127	141	142
Consumption over a combined cycle (mpg)	45.6	Petrol: 44.1 / LPG: 40.4-40.9	45.6	44.8
Consumption over a low cycle (mpg)	38.2	Petrol: 36.7 / LPG: 30.0	38.7	36.7
Consumption over medium cycle (mpg)	50.4	Petrol: 47.9 / LPG: 42.8 - 43.5	49.6	47.9
Consumption over a high cycle (mpg)	52.3	Petrol: 50.4 - 51.4 / LPG: 47.1 - 48.7	52.3	52.3
Consumption over an extra high cycle (mpg)	41.5	Petrol: 40.4 - 40.9 / LPG: 39.2 - 40.4	41.5	42.2

WEIGHT (kg) AND VOLUME

Kerb Weight (Excluding Driver) (kg)	1,189	1,289	1,242	1,263
Gross train weight (GTW)	2,934	2,967	2,967	2,978
Maximum permissible laden weight (MPLW)	1,731	1,773	1,763	1,774
Max payload	542	484	521	511
Max. braked towing weight	1,100	1,000	1,200	1,200
Max. unbraked towing weight	630	680	655	665
Min. boot volume under luggage space cover with repair kit /with spare wheel ⁽⁶⁾ (dm ³ VDA)	445/445	445	445/445	445/445
Max. boot volume with rear bench seat folded down with repair kit/with spare wheel ⁽⁶⁾ (dm ³ VDA)	1,478/1,478	1,478	1,478/1,478	1,478/1,478
Min. boot volume under luggage space cover with repair kit/with spare wheel (litres)	478/478	478	478/478	478/478
Max. boot volume with rear bench seat folded down with repair kit/with spare wheel (litres)	1,623/1,623	1,623	1,623/1,623	1,623/1,623

	Blue dCi 115	Blue dCi 115 4x4
ENGINES		
Fuel	Diesel	Diesel
Fiscal rating (hp)	6	6
Max. power kW EEC (hp) at an engine speed of (rpm)	85 (115 hp) at 3,750	84 (115 hp) at 3,750
Max torque Nm EEC (m.kg) at an engine speed of (rpm)	260 at 1,750-2,750	260 at 1,750-2,750
Type of Injection	Direct injection	Direct injection
Capacity (cm ³)	1,461	1,461
No. of cylinders/valves	4 cylinders/8 valves	4 cylinders/8 valves
Emission control standard	Euro 6	Euro 6
Particle filter ⁽¹⁾	Yes	Yes
Stop & Start ⁽²⁾	Yes	Yes
PERFORMANCE		
Top speed (km/h)/0-100 km/h (s)	180/10.2	175/10.2
1,000 m from standing start (s)	32.2	33.2
GEARBOX AND TRANSMISSION		
Transmission	4x2	4x4
Gearbox type / Number of gears	Manual/6	Manual/6
STEERING		
Steering	Electrical power-assisted steering	Electrical power-assisted steering
Turning circle, kerb to kerb (m)	10.72	10.72
BRAKING		
Front: ventilated disc (VD)/diameter (mm)	(VD)/280	(VD)/280
Rear: drum (D)/diameter (inches)	(D)/9	(D)/9
WHEELS AND TYRES		
Reference tyre sizes	215/65 R16 & 215/60 R17	
FUEL CONSUMPTION AND EMISSIONS⁽³⁾		
Approval protocol	WLTP ⁽⁴⁾	
Eco mode	Yes	Yes
Fuel tank capacity (L)	50	50
AdBlue [®] tank capacity ⁽⁴⁾ (l)	15.1	15.1
CO ₂ emissions (g/km)	127	139
Consumption over a combined cycle (mpg)	58.9	53.3
Consumption over a low cycle (mpg)	54.3	47.9
Consumption over medium cycle (mpg)	61.4	56.5
Consumption over a high cycle (mpg)	67.3	61.4
Consumption over an extra high cycle (mpg)	51.4	47.9
WEIGHT (kg) AND VOLUME		
Kerb Weight (Excluding Driver) (kg)	1,350	1,439
Gross train weight (GTW)	2,998	3,445
Maximum permissible laden weight (MPLW)	1,852	1,949
Max payload	502	510
Max. braked towing weight	1,200	1,500
Max. unbraked towing weight	690	740
Min. boot volume under luggage space cover with repair kit /with spare wheel ⁽⁶⁾ (dm ³ VDA)	471/428	411/376
Max. boot volume with rear bench seat folded down with repair kit/with spare wheel ⁽⁶⁾ (dm ³ VDA)	1,504/1,461	1,444/1,409
Min. boot volume under luggage space cover with repair kit/with spare wheel (litres)	494/471	467/414
Max. boot volume with rear bench seat folded down with repair kit/with spare wheel (litres)	1,574/1,551	1,614/1,559

(1) Petrol engines with particle filter (DPF): to reduce particle emissions, the new direct injection petrol engines now include a particle filter in the exhaust line. The filter removes particles in the exhaust gases, then burns them using automatic and very regular regeneration. The particle filter requires no maintenance. (2) The vehicle's starter and battery are adjusted for use with the Stop & Start system. (3) Official consumption and emissions according to applicable regulations. (4) Blue dCi Diesel engines: to reduce pollutant emissions, the new Blue dCi Diesel engines are equipped with a selective catalytic reduction device (SCR*) operating with AdBlue[®] (a non-toxic solution, available at most service stations). This technology converts the nitrogen oxides from Diesel engines into harmless gases. Your vehicle reminds you when it is time to refill the AdBlue[®] tank. *Selective catalytic reduction involves injecting ammonia (NH₃) from the AdBlue[®] into the exhaust catalytic converter. The resulting chemical reaction transforms nitrogen oxides (NOx) into non-polluting gases (water vapour and harmless nitrogen). Actual fuel and AdBlue[®] consumption depends on vehicle use, equipment, the user's driving style and the load. (4) WLTP (Worldwide Harmonized Light Vehicle Test Procedures): this new protocol provides results much closer to those found in daily use compared to the NEDC protocol. Fuel consumption and CO₂ emissions are certified using a standard, regulated method. It is identical for all manufacturers and allows vehicles to be compared. (5) The payload indicated is for the lowest equipment level. (6) According to ISO standard 3832.

EQUIPMENT & OPTIONS

	ESSENTIAL	EXPRESSION	JOURNEY	EXTREME
EXTERNAL APPEARANCE				
LED brand light	•	•	•	•
Automatic activation of daytime running lights	•	•	•	•
Grille with white hubcaps	•	•	•	•
Front and rear skid plates	Black	Black	Megalith Grey	Megalith Grey
Exterior door handles	Black	Body-coloured	Body-coloured	Body-coloured
Door mirrors	Black	Silver	Megalith Grey	Copper Brown
Roof bars	Black	Black	-	-
Modular roof bars	-	-	Megalith Grey	Megalith Grey
Tinted windows (rear, quarter panels, tailgate)	-	-	•	•
Metallic black shark fin antenna	-	-	-	•
Wheel arch mouldings	-	-	-	•
16" steel wheels	•	-	-	-
16" Oraga alloy wheels	-	•	-	-
17" Tergan alloy wheels	-	-	•	Black
SEATS AND INTERIOR TRIMS				
Air vent surrounds	Steel Grey	Steel Grey	Steel Grey	Copper Brown
Interior door handles	Black	Steel Grey	Steel Grey	Steel Grey
Front door pull handles	-	-	Fog Grey	Fog Grey
1/3- 2/3 split-fold rear bench seatback	•	•	•	•
Soft feel steering wheel	•	•	•	•
Special Essential upholstery	•	-	-	-
Special Expression upholstery	-	•	-	-
Special Journey upholstery	-	-	•	-
Special Extreme upholstery	-	-	-	•
ACTIVE AND PASSIVE SAFETY				
ABS (Anti-lock Braking System) + EBA (Emergency Brake Assist)	•	•	•	•
Electronic Stability Control (ESC) ⁽¹⁾ with Hill Start Assist (HSA)	•	•	•	•
Driver's front airbag	•	•	•	•
Passenger's front airbag, disconnectable	•	•	•	•
Shoulder and curtain side airbags	•	•	•	•
Front and rear seat belts with pyrotechnic pretensioner	•	•	•	•
Tyre pressure detection	•	•	•	•
3 rd 3-point rear seat belt (inertia reel)	•	•	•	•
Blind spot warning	-	-	•	•
Spare wheel + jack ⁽²⁾ (except ECO-G version)	o	o	o	o
Tyre inflation kit	•	•	•	•
Isofix child seat mounting system on rear side seats	•	•	•	•
DRIVING AND CONTROL INSTRUMENTS				
Electrical power-assisted steering	•	•	•	•
On-board computer with 11 functions (LCD screen): overall totaliser, partial totaliser, fuel used, average fuel consumption, predicted driving range, average speed, service/oil change intervals, gear change indicator, exterior temperature, clock and fuel gauge	•	-	-	-
On-board computer with 13 functions (TFT screen): overall totaliser, partial totaliser, fuel used, average fuel consumption, predicted driving range, average speed, service/oil change intervals, gear change indicator, driving speed, language settings, door open warning light, clock, exterior temperature ⁽¹⁾	• (if TCe 100 Bi-Fuel)	•	•	•
Visual and audible front seat belt warning	•	•	•	•
Eco Mode (Euro 6) + Stop & Start + gear change indicator	•	•	•	•

	ESSENTIAL	EXPRESSION	JOURNEY	EXTREME
DRIVING AND CONTROL INSTRUMENTS (CONTINUED)				
Hill Descent Control system (only on 4x4)	•	•	•	•
Cruise control and speed limiter	•	•	•	•
Rear parking sensors	•	•	•	•
Rear view camera	-	•	•	•
Multiview camera	-	-	•	•
VISIBILITY				
Front fog lights	•	•	•	•
Heated rear screen/timed rear screen wiper	•/•	•/•	•/•	•/•
Door mirrors with interior manual adjustment	•	-	-	-
Heated electric adjustable door mirrors	-	•	•	•
Automatic windscreen wipers	-	-	•	•
COMFORT				
4-speed heating and ventilation with air recirculation	•	-	-	-
Manual heating and air conditioning system	•	•	-	-
Automatic heating and air conditioning system	-	-	•	•
Automatic folding door mirrors	-	-	•	•
Electric door locking with radio frequency remote	•	•	•	•
Keyless entry	-	-	•	•
Electric front windows	•	•	•	•
Electric rear windows	-	•	•	•
Steering wheel adjustable for height and reach	•	•	•	•
Height-adjustable driver's seat	-	•	•	•
Height-adjustable driver's seat with lumbar adjustment	-	-	•	•
Semi-high centre console with sliding plastic-coated fabric armrest and storage	-	-	•	•
Driver's front reading light with 20-second timer	•	-	-	-
2 front reading lights (driver's with 20-second timer and passenger)	-	•	•	•
1 reading light for rear passengers	-	-	•	•
12V sockets front/rear	•/-	•/•	•/•	•/•
Glovebox lighting	-	-	•	•
Boot lighting	•	•	•	•
Heated front seats	-	-	•	•
AUDIO				
Plug & Music: DAB MP3 radio, USB and jack ports, 4 speakers, Bluetooth® telephone with satellite controls	•	-	-	-
8" Media Display: DAB radio, smartphone mirroring via USB cable, Bluetooth® connection, 4 speakers, 8" touchscreen	-	•	-	-
8" Media NAV: MAP CARE navigation (Western or Eastern Europe map + 6 free updates for 3 years), DAB radio, smartphone replication via USB cable, Bluetooth® connection, 6 speakers, 8" touch screen	-	-	•	•
PACKS				
Navigation Pack ⁽³⁾ : rear view camera, Media NAV with MAP CARE navigation (Western or Eastern Europe map + 6 free updates for 3 years) and smartphone replication via USB cable	-	o	•	•
Comfort+ Pack: half-height centre console with sliding armrest and storage, 2 USB ports in the rear, driver's seat with lumbar adjustment	-	-	-	•
Techno Pack: keyless entry, two USB ports in the rear	-	-	o	•

•: available as standard; o: available as an option; -: not available. (1) Disconnectable only on 4x4 versions. (2) The "spare wheel + jack" option replaces the "tyre inflation kit". (3) Navigation Pack not compatible with City Pack.

DACIA DUSTER PRICING

		CO ₂ G/KM WLTP	FUEL TYPE	COMBINED FUEL CONSUMPTION (MPG) - WLTP	BHP	BENEFIT IN KIND	VED YEAR 1	BASIC PRICE	VAT 20%	TOTAL RETAIL PRICE	ON THE ROAD PRICE*
DACIA DUSTER											
Essential	TCe 90 4x2 MY23.5	139	Petrol	45.6 (6.2)	90	32%	£255	£13,658.33	£2,731.67	£16,390.00	£17,295
	TCe 100 Bi-Fuel 4x2 MY23.5	144 (Petrol)/ 126(LPG)	Petrol	44.1 (6.4) & 36.2 (7.8)	100	33%	£245	£13,666.67	£2,733.33	£16,400.00	£17,295
Expression	TCe 90 4x2 MY23.5	140	Petrol	45.6 (6.2)	90	33%	£255	£14,491.67	£2,898.33	£17,390.00	£18,295
	100 Bi-Fuel 4x2 MY23.5	145 (Petrol)/ 127(LPG)	Petrol/LPG	44.1 (6.4) & 36.2 (7.8)	100	34%	£245	£14,500.00	£2,900.00	£17,400.00	£18,295
	TCe 130 4x2 MY23.5	141	Petrol	45.6 (6.2)	130	33%	£255	£15,658.33	£3,131.67	£18,790.00	£19,695
Journey	TCe 90 4x2 MY23.5	140	Petrol	45.6 (6.2)	90	33%	£255	£15,741.67	£3,148.33	£18,890.00	£19,795
	TCe 100 Bi-Fuel 4x2 MY23.5	145 (Petrol)/ 127(LPG)	Petrol/LPG	44.1 (6.4) & 36.2 (7.8)	100	34%	£245	£15,750.00	£3,150.00	£18,900.00	£19,795
	TCe 130 4x2 MY23.5	141	Petrol	45.6 (6.2)	130	33%	£255	£16,908.33	£3,381.67	£20,290.00	£21,195
	TCe 150 4x2 EDC MY23.5	141	Petrol	45.6 (6.2)	150	33%	£255	£18,575.00	£3,715.00	£22,290.00	£23,195
	TCe 100 Bi-Fuel MY23.5	145 (Petrol)/ 127(LPG)	Petrol/LPG	44.1 (6.4) & 35.8 (7.9)	100	34%	£245	£16,166.67	£3,233.33	£19,400.00	£20,295
Extreme	TCe 130 4x2 MY23.5	141	Petrol	45.6 (6.2)	130	33%	£255	£17,325.00	£3,465.00	£20,790.00	£21,695
	TCe 150 4x2 EDC MY23.5	141	Petrol	45.6 (6.2)	150	33%	£255	£18,991.67	£3,798.33	£22,790.00	£23,695
	Blue dCi 115 4x2 MY23.5	127	Diesel	58.9 (4.8)	115	30%	£210	£17,737.50	£3,547.50	£21,285.00	£22,145
	Blue dCi 115 4x4 MY23.5	141	Diesel	52.3 (5.4)	115	33%	£255	£19,616.67	£3,923.33	£23,540.00	£24,445

* "On the Road" price includes delivery to the dealer premises, number plates, 12 months government road fund license (depending on CO₂ emissions) and First Registration Fee at £55.

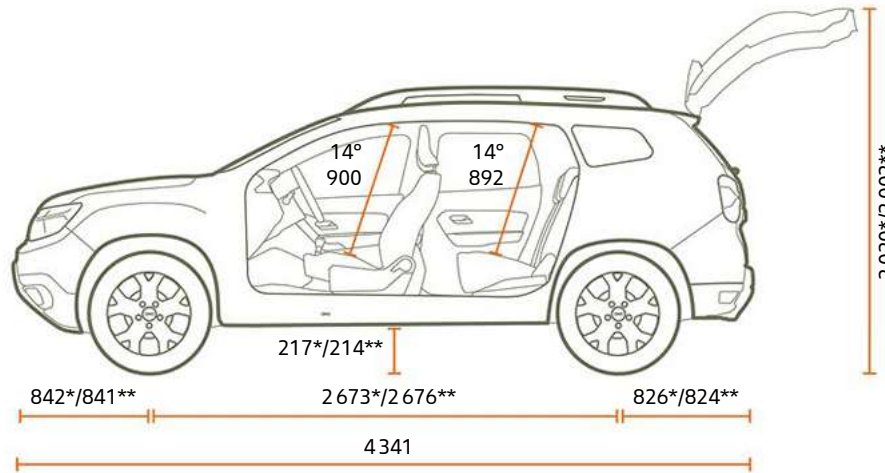
OPTIONS

OPTION	ESSENTIAL	EXPRESSION	JOURNEY	BASIC PRICE	VAT 20%	TOTAL RETAIL PRICE
Metallic & opaque paint	○	○	○	£541.67	£108.33	£650
Spare Wheel (Excluding Bi-Fuel)	○	○	○	£250.00	£50.00	£300

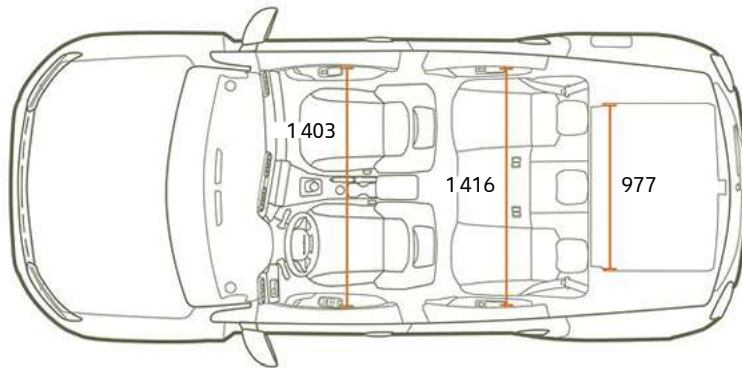
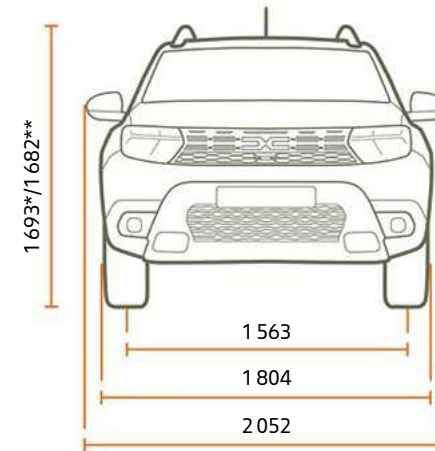
DACIA DUSTER

DIMENSIONS

PROFILE VIEW



FRONT VIEW



REAR VIEW



BOOT (L)

Min. boot volume under luggage space cover with spare wheel (4x2/4x4)	478/414
Max. boot volume with rear bench seat folded down with spare wheel (4x2/4x4)	1,623/1,559

Dimension in mm. *Version 4x2. **Version 4x4

DRIVE, TRAVEL, ENJOY, NOW THAT'S THE DACIA SPIRIT!

At Dacia, we design practical, reliable vehicles that offer the best value for money. Models with assertive style but no frills, fitted with the most reliable, tried-and-tested technologies... all at an unbeatable price. In fifteen years, we have changed the rules of the game and disrupted the car market. Unbelievable?

Not really. Our secret? A perfect blend of simplicity, transparency and accessibility. From the choice of model to price and maintenance, everything is clear and obvious with Dacia. Driving Dacia means being sure you've made the right choice.



THE AUTHENTIC SUV



Non-binding photo.

DACIA DUSTER

WE'VE GOT YOU COVERED

You might think our shockingly affordable prices mean our cars aren't made to last. Actually, the Dacia range is one tough cookie. To prove it, you get a 3-year* warranty (or 60,000 miles, if you reach that first). This means we will replace any part which has been deemed by a Dacia approved dealer to be defective due to a manufacturing fault, free of charge. To keep the good times rolling, you can extend your warranty up to 7 years for a great price. We also give you a 2-year paintwork and 6-year anti-corrosion warranty, so you can kick back knowing that your Dacia will stay looking good-as-new for years to come.

ROADSIDE ASSISTANCE

Although our cars are built for plain sailing, you can rely on us if you have a breakdown – 24/7 365, wherever you are in the UK or Northern Ireland. This offer also stands for the first 3 years/60,000 miles Δ after you buy your new Dacia.

DACIA CAR INSURANCE 1

Dacia Insurance has been specifically created to provide superb protection for you and your car. Unlike most other UK insurers, in the event of an accident, your Dacia will be repaired at a Dacia Approved Bodyshop using only Dacia approved parts and approved repair methods. This maintains your Dacia's safety rating, protects its resale value and helps to maintain its Dacia warranty Δ . Dacia Insurance also offers a courtesy car for the duration of a repair at a Dacia Approved Bodyshop.

Dacia car insurance: 0330 102 7795 www.daciacarinsurance.co.uk

Lines are open Mon - Thurs 8.30am - 7pm, Fri 9am - 6pm, Sat 9am - 5pm

SERVICING

Dacia Service Plans are the ultimate hassle free way to take care of your vehicle. Depending on the Service plan you purchase (see opposite grid) your servicing needs are covered and you benefit from;

- Inflation Proof Servicing – You know exactly what you'll pay and there are no hidden costs
- Peace of Mind – No matter where life takes you, we'll be there in over 5000 workshops across Europe
- Dacia Expertise & Quality – Our highly trained technicians know your Dacia inside out

The Dacia Service Plan contains Dacia services in-line with the manufacturer's service schedule, plus comes with a complimentary vehicle health check to ensure your Dacia is in the best condition possible.

Service plan [^]	Cash Price	Monthly payments with Dacia Finance**	Extended warranty	Total Retail Price
2 years / 20,000 miles Service Plan	-	£4.99 per month	4 years / 60,000 miles [†]	£160
3 years / 30,000 miles Service Plan	£599	£8.99 per month	5 years / 60,000 miles [†]	£300
4 years / 40,000 miles Service Plan	£899	£13.99 per month	6 years / 60,000 miles [†]	£430
Servicing[^] + Extended Warranty Plan			4 years / 100,000 miles [†]	£430
4 years / 60,000 miles	£1,199	£17.99 per month	5 years / 100,000 miles [†]	£560
			6 years / 100,000 miles [†]	£690

Dacia Extended warranty ends when you reach the age or mileage limit (whichever comes first). For full Warranty Terms and Conditions visit www.dacia.co.uk/warranty-and-assistance/assistance

Service Intervals^o

Annual servicing **OR** servicing at 18,000 miles (whichever comes first)

Service Schedule ^o	Year 1	Year 2	Year 3	Year 4	Year 5	Year 6
	Cabin filter change	Oil change + Cabin filter change	Cabin filter change + Brake fluid change	Oil change + Cabin filter change + Brake fluid change	Cabin filter change + Coolant 150km change	Cabin filter change + Belts 150km change

*Dacia warranty ends when you reach the age or mileage limit (whichever comes first), from date of registration. Subject to status, terms and conditions apply. For full Dacia Extended Warranty Terms and Conditions visit www.dacia.co.uk/warranty-and-assistance/warranty

Δ Roadside assistance for the first 3 year / 60,000 miles, which ever is reached first, from date of registration. For full Terms and Conditions visit www.dacia.co.uk/warranty-and-assistance/assistance

[†] Dacia Extended warranties are available to purchase from first date of registration up to end of manufacturer warranty. For full Dacia Extended Warranty Terms and Conditions visit www.dacia.co.uk/warranty-and-assistance/warranty

The monthly service plan offer is available at point of signing agreement for vehicle purchased under HP and PCP finance agreement provided by Dacia Finance Ltd. (Not available on cash purchases).

[^] The Service plan offer is available for eligible retail vehicles only and valid at participating dealers only. Vehicles must be ordered between 4 April to 3 July and registered by 31 December 2023. The Dacia Service plan covers the manufacturer's minimum maintenance programme requirements for the term of the Service plan purchased (refer to the Warranty and Service sheet in the Handover Document wallet for details). The plan ends when you reach the age or mileage limit (whichever comes first). Services must be carried out in line with the manufacturer's minimum maintenance programme requirements and servicing intervals within +/- 1 month or 1,000 miles of the service interval and can only be carried out at a Dacia Approved outlet. Service plans do not cover wear and tear items such as (but not limited to) tyres, wiper blades or brakes. For Service plan full Terms & Conditions visit www.dacia.co.uk/services-and-finance/service-plan. Cannot be part exchanged, refunded or transferred.

^o The service schedule and intervals are subject to the registration number. Ask your local dealer to confirm your service schedule / intervals as the above is a guideline.

**36 or 48 monthly payments options are only available at point of signing a finance agreement provided by Dacia Finance, Rivers Office Park, Denham Way, Rickmansworth, WD3 9YS. Guarantees and indemnities may be required. You must be a UK resident (excluding the Channel Islands) and over 18 to apply for finance. Terms and conditions apply.

¹ Dacia Insurance is arranged and administered by Verex Insurance Services Ltd, which is registered in England and Wales No. 05686831 at Batchworth House, Church Street, Rickmansworth, Herts, WD3 1JE and authorised and regulated by the Financial Conduct Authority, No. 487185. Verex Insurance Services Ltd arranges policies from a panel of insurers, details are available on request.

Δ If your insurer uses non-approved parts which subsequently fail, they may not be covered under your manufacturer's warranty.

Every precaution has been taken to ensure this publication is accurate and up to date when printed. This document has been created using pre-production and prototype models. In line with its policy of continuous product improvement, Dacia reserves the right to modify the specifications, vehicles and accessories described and featured at any time. Any such modifications are communicated to Dacia dealers as quickly as possible. Depending on the country of sale, versions may differ and certain equipment may be unavailable (as standard, optional or as an accessory). Please consult your Dacia brand representative for the latest information. For technical printing reasons, the colours featured in this document may differ slightly from those of the actual paintwork or interior trim. All rights reserved. Reproduction in any format and by any means of all or part of this publication is prohibited without prior written authorisation from Dacia.

Dacia recommends 

PUBLICIS - PHOTO CREDITS: MAGROUND AND ADDITIVE, MARC & DAVID, H. PICARD, © RENAULT MARKETING 3D-COMMERCE - APRIL 2023